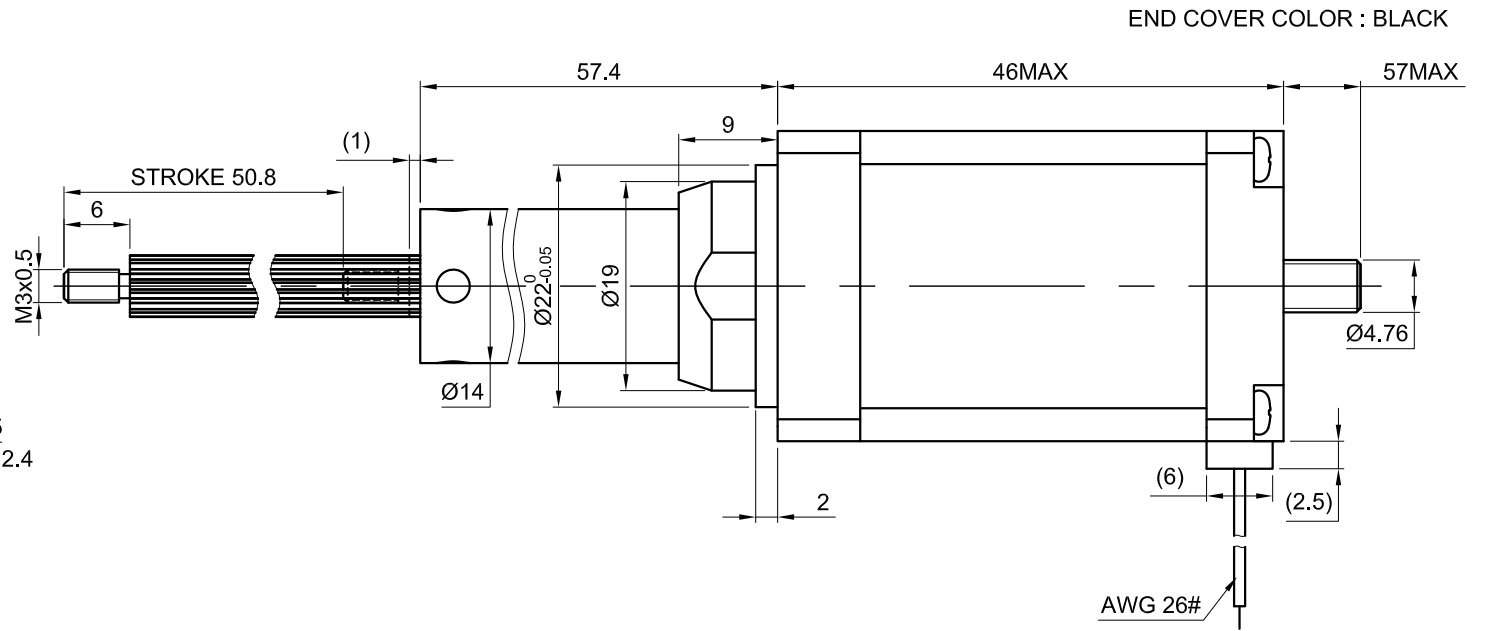


4-M2.5
DEPTH 2.4



END COVER COLOR : BLACK

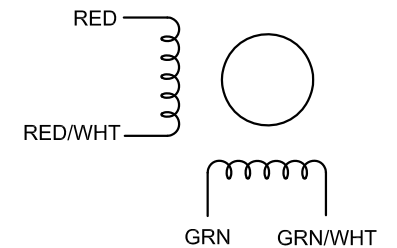
SPECIFICATION	CONNECTION	BIPOLAR
AMPS/PHASE		1.00
RESISTANCE/PHASE(Ohms)@25°C		3.70±10%
INDUCTANCE/PHASE(mH)@1KHz		3.70±20%
HOLDING TORQUE(Nm)[lb-in]		0.12[1.06]
LEAD(mm)		5.08
LINEAR TRAVEL/STEP(mm)		0.0254
STEP ANGLE(°)		1.80
STEP ACCURACY(NON-ACCUM)		±5.00%
WEIGHT(Kg)[lb]		—

TEMPERATURE RISE:MAX.80°C (MOTOR STANDSTILL;FOR 2PHASE ENERGIZED)
 AMBIENT TEMPERATURE -20°C~+50°C[-4°F~+122°F]
 INSULATION RESISTANCE 100 Mohm (UNDER NORMAL TEMPERATURE AND HUMIDITY)
 INSULATION CLASS B 130°C[266°F]
 DIELECTRIC STRENGTH 500VAC FOR 1MIN.(BETWEEN THE MOTOR COILS AND THE MOTOR CASE)

TYPE OF CONNECTION (EXTERN)	MOTOR	
	LEADS	WINDING
BIPOLAR		
A+	RED	
A-	RED/WHT	
B+	GRN	
B-	GRN/WHT	

FULL STEP 2 PHASE-Ex.,
 WHEN FACING MOUNTING END (X)

STEP	A+	B+	A-	B-		CCW
1	+	+	-	-		
2	-	+	+	-		
3	-	-	+	+		
4	+	-	-	+		



APVD		8.10.2022
CHKD		
1.5:1	DRN	
SCALE	SIGNATURE	DATE

STEPPER MOTOR
 11C18S1004HD5-051RS