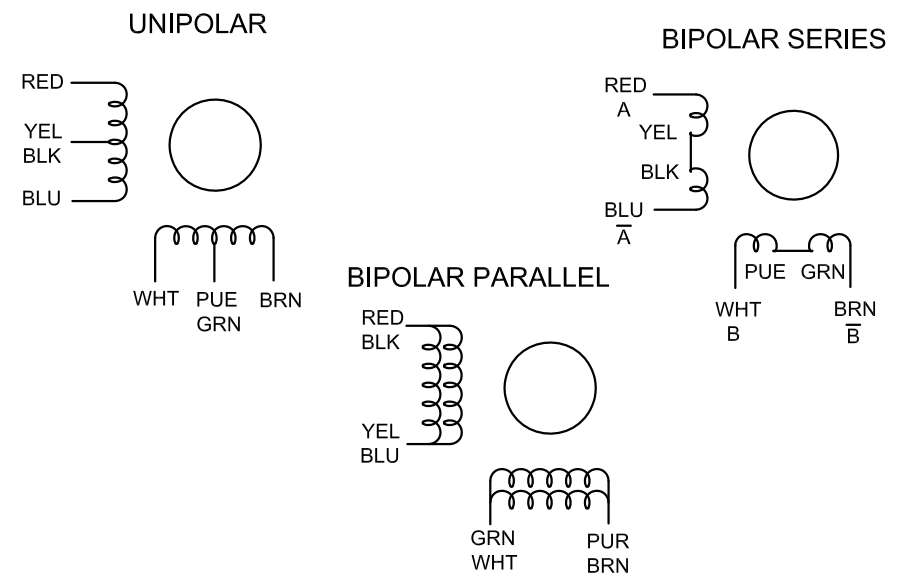


| SPECIFICATION   | CONNECTION | UNIPOLAR   | BIPOLAR (SERIAL) | BIPOLAR (PARALLEL) |
|---|------------|------------|------------------|--------------------|
| VOTAGE(VOC)   |            | 2.30       | 3.25             | 1.63               |
| AMPS/PHASE  |            | 3.00       | 2.12             | 4.24               |
| RESISTANCE/PHASE(Ohms)@25°C   |            | 0.75±10%   | 1.50±10%         | 0.38±10%           |
| INDUCTANCE/PHASE(mH)@1KHz   |            | 1.10±20%   | 4.40±20%         | 1.10±20%           |
| HOLDING TORQUE(Nm)[lb-in]   |            | 0.90[7.97] | 1.26[11.15]      | 1.26[11.15]        |
| STEP ANGLE(°)   |            | 1.80       |                  |                    |
| STEP ACCURACY(NON-ACCUM)  |            | ±5.00%     |                  |                    |
| ROTOR INERTIA(g-cm <sup>2</sup> )   |            | 300.00     |                  |                    |
| WEIGHT(Kg)[lb]  |            | 0.70[1.54] |                  |                    |
| TEMPERATURE RISE:MAX.80°C ( MOTOR STANDSTILL;FOR 2PHASE ENERGIZED )               |            |            |                  |                    |
| AMBIENT TEMPERATURE -10°C~50°C[14°F~122°F]  |            |            |                  |                    |
| INSULATION RESISTANCE 100 Mohm ( UNDER NORMAL TEMPERATURE AND HUMIDITY )          |            |            |                  |                    |
| INSULATION CLASS B 130°C[266°F]   |            |            |                  |                    |
| DIELECTRIC STRENGTH 500VAC FOR 1MIN.(BETWEEN THE MOTOR COILS AND THE MOTOR CASE ) |            |            |                  |                    |
| AMBIENT HUMIDITY MAX.85%(NO CONDENSATION)   |            |            |                  |                    |



|       |           |      |
|-------|-----------|------|
| APVD  |           |      |
| CHKD  |           |      |
| 1:1.5 | DRN       |      |
| SCALE | SIGNATURE | DATE |

**STEPPER MOTOR**

**23HS22-3008D**