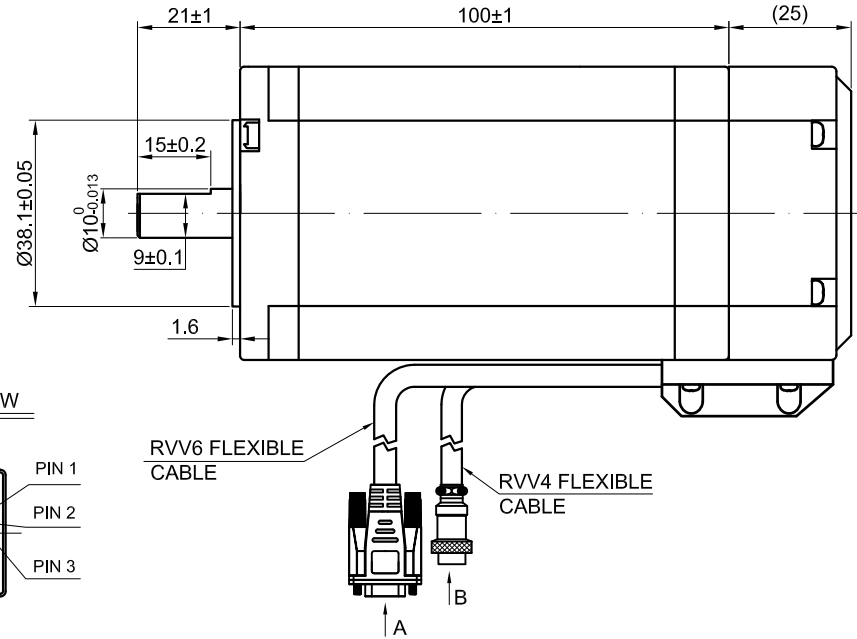
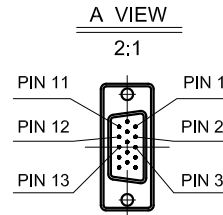
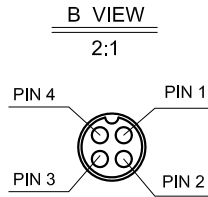
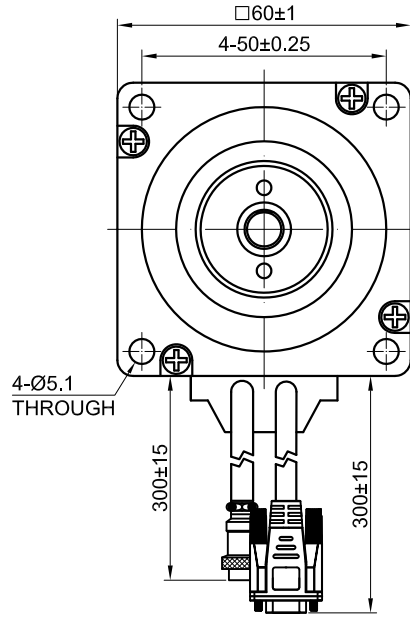


END COVER COLOR: BLACK



| SPECIFICATION  | CONNECTION | BIPOLAR      |
|--|------------|--------------|
| NO. OF PHASE   |            | 2            |
| AMPS/PHASE   |            | 5.00         |
| RESISTANCE/PHASE(Ohms)@20°C  |            | 0.60±10%     |
| INDUCTANCE/PHASE(mH)@1KHz  |            | 2.60±20%     |
| HOLDING TORQUE(Nm)[lb-in]  |            | 4.00 [35.43] |
| STEP ANGLE(°)  |            | 1.8          |
| STEP ACCURACY(NON-ACCUM)   |            | ±5.00%       |
| WEIGHT(Kg)[lb]   |            | —            |
| TEMPERATURE RISE:MAX.80°C ( MOTOR STANDSTILL;FOR 2PHASE ENERGIZED )              |            |              |
| OPERATION AMBIENT TEMPERATURE -10°C~50°C[ 14°F~122°F]                            |            |              |
| INSULATION RESISTANCE 100 Mohm (UNDER NORMAL TEMPERATURE AND HUMIDITY)           |            |              |
| INSULATION CLASS B 130°C[266°F]  |            |              |
| DIELECTRIC STRENGTH 500VAC FOR 1MIN.(BETWEEN THE MOTOR COILS AND THE MOTOR CASE) |            |              |

| TYPE OF CONNECTION (EXTERN) |         | MOTOR |         |
|-----------------------------|---------|-------|---------|
| PIN NO                      | BIPOLAR | LEADS | WINDING |
| 1                           | A+ —    | /     | A+      |
| 2                           | A- —    |       | A-      |
| 3                           | B+ —    | /     | B+      |
| 4                           | B- —    |       | B-      |

FULL STEP 2 PHASE-Ex. ,  
WHEN FACING MOUNTING END (X)

| STEP | A+ | B+ | A- | B- | CCW | CW |
|------|----|----|----|----|-----|----|
| 1    | +  | +  | -  | -  | ↓   | ↑  |
| 2    | -  | +  | +  | -  |     |    |
| 3    | -  | -  | +  | +  |     |    |
| 4    | +  | -  | -  | +  |     |    |

ENCODER RESOLUTION:1000PPR(4000CPR)

| 15-PIN DB MALE PLUG | 1   | 2   | 3   | 11  | 12  | 13  |
|---------------------|-----|-----|-----|-----|-----|-----|
| DESCRIPTION         | EA+ | VCC | GND | EB+ | EB- | EA- |



|       |           |            |
|-------|-----------|------------|
| APVD  |           | 10.16.2021 |
| CHKD  |           |            |
| 1:1.5 | DRN       |            |
| SCALE | SIGNATURE | DATE       |

**STEPPER MOTOR**  
**24HS40-5004D-E1000**