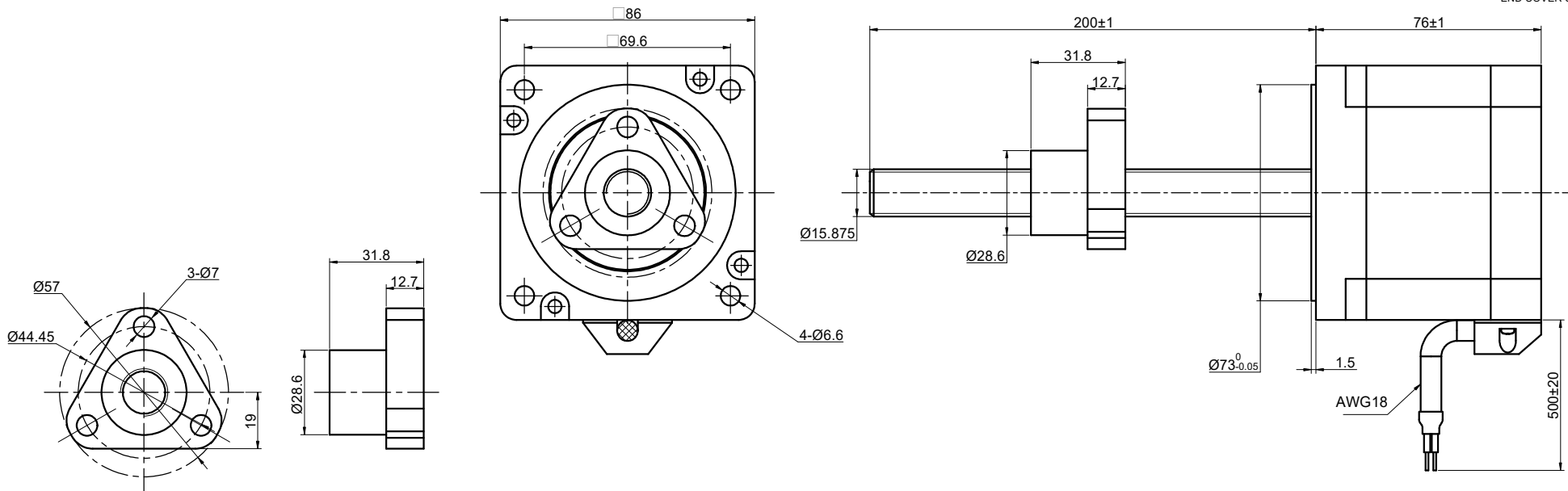


END COVER COLOR : BLACK

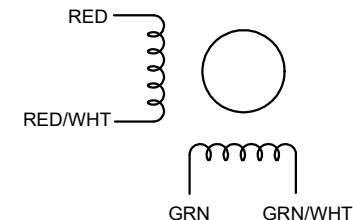


| SPECIFICATION  | CONNECTION | BIPOLAR    |
|--|------------|------------|
| AMPS/PHASE   |            | 5.5        |
| RESISTANCE/PHASE(Ohms)@25°C  |            | 0.5±10%    |
| INDUCTANCE/PHASE(mH)@1KHz  |            | 4.5±20%    |
| HOLDING TORQUE(Nm)[lb-in]  |            | 4.5[39.83] |
| LEAD(mm)   |            | 2.54       |
| LINEAR TRAVEL/STEP(mm)   |            | 0.0127     |
| STEP ANGLE(°)  |            | 1.80       |
| STEP ACCURACY(NON-ACCUM)   |            | ±5.00%     |
| WEIGHT(Kg)[lb]   |            | —          |
| TEMPERATURE RISE:MAX.80°C ( MOTOR STANDSTILL;FOR 2PHASE ENERGIZED )              |            |            |
| AMBIENT TEMPERATURE -10°C~50°C[14°F~122°F]                                       |            |            |
| INSULATION RESISTANCE 100 Mohm (UNDER NORMAL TEMPERATURE AND HUMIDITY)           |            |            |
| INSULATION CLASS B 130°C[266°F]  |            |            |
| DIELECTRIC STRENGTH 500VAC FOR 1MIN.(BETWEEN THE MOTOR COILS AND THE MOTOR CASE) |            |            |
| AMBIENT HUMIDITY MAX.85%(NO CONDENSATION)  |            |            |

| TYPE OF CONNECTION (EXTERN) |         | MOTOR   |         |
|-----------------------------|---------|---------|---------|
| PIN NO                      | BIPOLAR | LEADS   | WINDING |
| 1                           | A -     | RED     | A       |
| 2                           | A\ -    | RED/WHT | A\      |
| 3                           | B -     | GRN     | B       |
| 4                           | B\ -    | GRN/WHT | B\      |

FULL STEP 2 PHASE-Ex. ,  
WHEN FACING MOUNTING END (X)

| STEP | A | B | A\ | B\ |   | CCW |
|------|---|---|----|----|---|-----|
| 1    | + | + | -  | -  | ↓ | ↑   |
| 2    | - | + | +  | -  |   |     |
| 3    | - | - | +  | +  | ↑ | ↓   |
| 4    | + | - | -  | +  |   |     |



|       |           |           |
|-------|-----------|-----------|
| APVD  |           | 5.25.2023 |
| CHKD  |           |           |
| 1:2   | DRN       |           |
| SCALE | SIGNATURE | DATE      |

STEPPER MOTOR

34E30S5504GK5-200RS