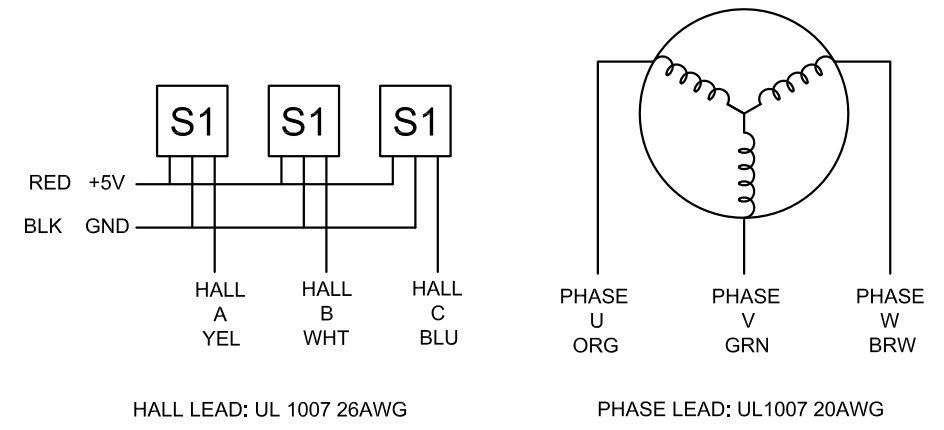


SPECIFICATION	VALUE
NO. of PHASES	3
NO. of POLES	4
RATED VOLTAGE(V)	24
RATED CURRENT(A)	4.8±10%
RATED POWER(W)	77.5
RATED SPEED(RPM)	4000±10%
RATED TORQUE(mN.m)	185
NO LOAD CURRENT(A)	0.5
NO LOAD SPEED(RPM)	5900
SENSOR	HALL SENSOR
INSULATION CLASS	CLASS B
INSULATION RESISTANCE	100MΩ MIN @ 500VDC
DIELECTRIC STRENGTH TEST	500VAC for 1 MINUTE
BEARING TYPE	NMB BALL BEARING, C3



APVD		
CHKD		
1.5:1	DRN	
SCALE	SIGNATURE	DATE

**BRUSHLESS DC MOTOR**

**42BLS80-24-01**