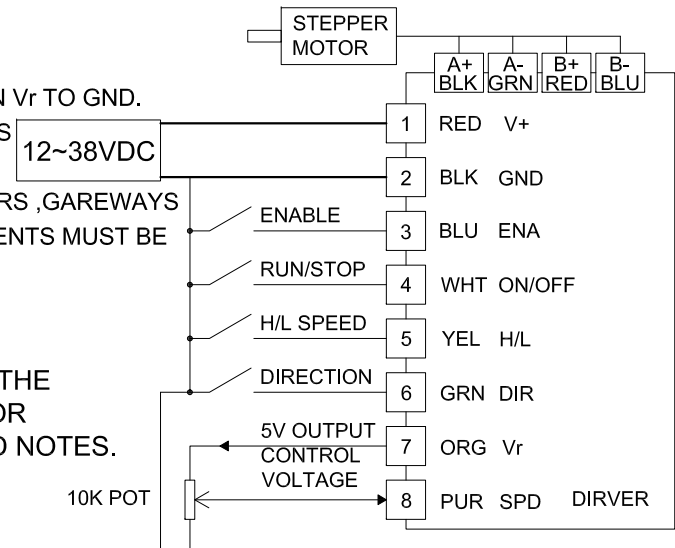


| SPECIFICATION  | CONNECTION | BIPOLAR     |
|--|------------|-------------|
| AMPS/PHASE   |            | 2.80        |
| RESISTANCE/PHASE(Ohms)@25°C  |            | 1.13±10%    |
| INDUCTANCE/PHASE(mH)@1KHz  |            | 5.40±20%    |
| HOLDING TORQUE(Nm)[lb-in]  |            | 1.90[16.73] |
| STEP ANGLE(°)  |            | 1.80        |
| STEP ACCURACY(NON-ACCUM)   |            | ±5.00%      |
| ROTOR INERTIA(g-cm <sup>2</sup> )  |            | 440.00      |
| WEIGHT(Kg)[lb]   |            | 1.15[2.54]  |
| TEMPERATURE RISE:MAX.80°C (MOTOR STANDSTILL;FOR 2PHASE ENERGIZED)                |            |             |
| AMBIENT TEMPERATURE -10°C~50°C[14°F~122°F]                                       |            |             |
| INSULATION RESISTANCE 100 Mohm (UNDER NORMAL TEMPERATURE AND HUMIDITY)           |            |             |
| INSULATION CLASS B 130°C[266°F]  |            |             |
| DIELECTRIC STRENGTH 500VAC FOR 1MIN.(BETWEEN THE MOTOR COILS AND THE MOTOR CASE) |            |             |
| AMBIENT HUMIDITY MAX.85%(NO CONDENSATION)  |            |             |

### EXTERNAL POTENTIOMETER SPEED REGULATING CONNECTION

WARNING:NEVER SHORTEN V<sub>r</sub> TO GND.  
 WARNING:HOT PLUGGING IS FORBIDDEN.  
 WARNING:ALL CONTROLLERS ,GAREWAYS AND SUBSCRIBER EQUIPMENTS MUST BE COMMONGROUNDED.

PLEASE REFER TO THE DRIVER MANUAL FOR OTHER WIRING AND NOTES.



|       |           |           |
|-------|-----------|-----------|
| APVD  |           | 7.18.2019 |
| CHKD  |           |           |
| 1:1.5 | DRN       |           |
| SCALE | SIGNATURE | DATE      |

### INTEGRATED STEPPER MOTOR

ISC04-20